



Titan Mini-Cup Clutch



This computer-designed centrifugal clutch is the ultimate clutch for Mini-Cup Cars.

It features:

- * a machined drum with interchangeable sprockets for the ultimate in strength and alignment.
- * a unique hub and shoe design for maximum power transmission.

(4 cycle - 1" counterbore - #35 chain)

Titan Mini-Cup available in **12 thru 22 teeth.**

Part Number	Description
APMC**	Titan Mini-Cup clutch

When ordering replace the (**) with the tooth size.

Replacement Sprockets

Part Number	Description
APBSJ**	Interchangeable sprocket

When ordering replace the (**) with the tooth size.

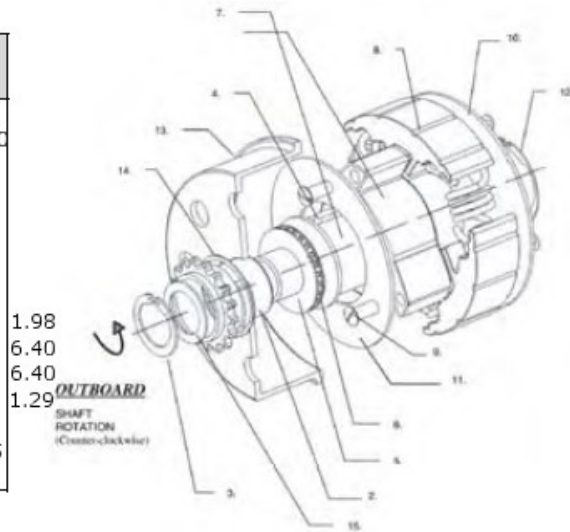
Springs 3.99 EACH 3 Required

Part Number	Color	RPM
APTS104	Lt. Red	1800
APTS105	Lt. White	2100
APTS106	Lt. Blue	2400
APTS011	Blue	3100
APTS012	Green	3600 *
APTS013	Red	3800
APTS014	Yellow	4000
APTS015	Orange	4200

(*) Included with clutch.

Parts

Item No.	Part Number	Description	
1	APMC012	Clutch hub	16.75
2	APSP3005	Bearing (14 - 22 tooth)	9.00
3	AP1902	Snap ring	0.90
4	APMC2010	Clutch key	2.70
5	APSP2416	Thrust spacer	3.10
6	APSP3012	Thrust bearing	9.00
7	APMC450	Hub shaft	50.35
8	APTP10	Clutch shoe	7.30
9	APSP2033	Clutch dust cover bolt	1.98
10	APTP450	Clutch outside dust cover	6.40
11	APTP452	Clutch inside dust cover	6.40
12	APTP14	Clutch assembly snap ring	1.29
13	APMCD	Clutch drum	83.55
14	APSP1908	Sprocket Snap Ring	0.75
15	AP2404	End Play Washer	1.29



Warning:

Clutch rotor must always be mounted as shown.